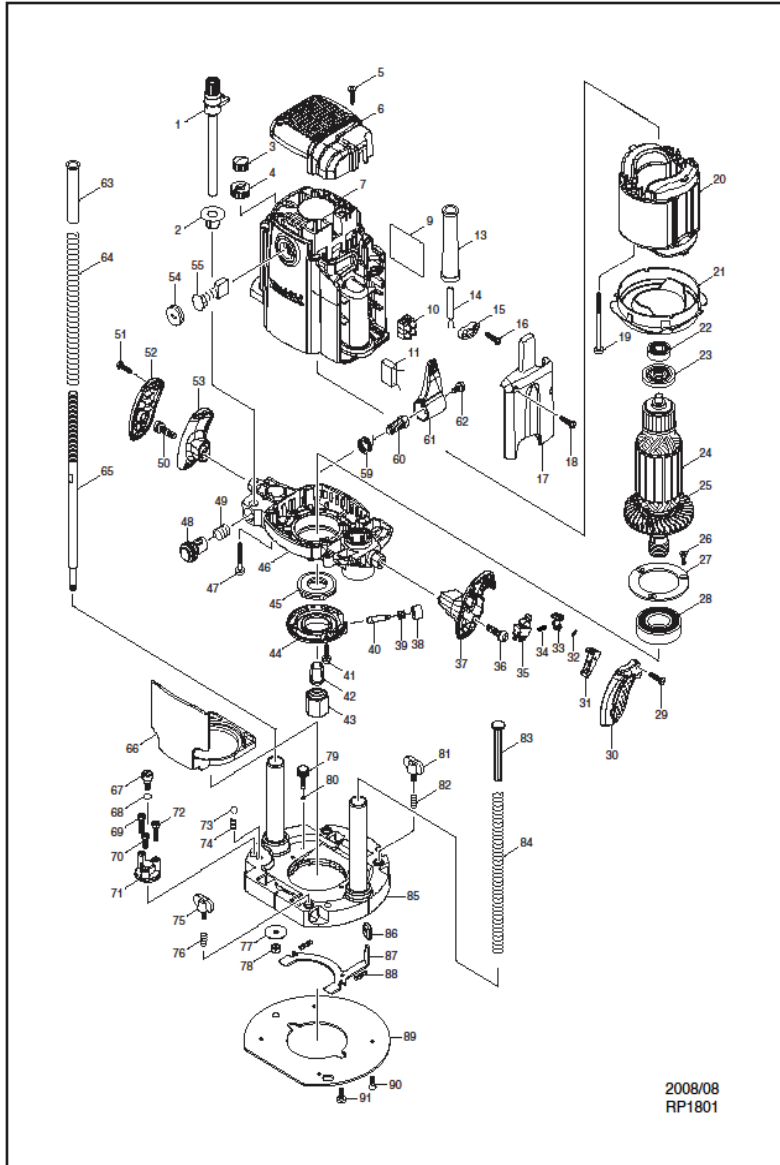


# RP1801



2008/08  
RP1801

REF.	CODE	DESCRIPTION	UNIT	LIST	REF.	CODE	DESCRIPTION	UNIT
1	125542-4	THUMB SCREW M10X115 ASSY	PC		061	450950-3	LOCK LEVER	PC
2	450946-4	DEPTH POINTER	PC		062	911213-7	PAN HEAD SCREW M5X12	PC
3	252643-6	WING NUT M10	PC		063	450943-0	SILENT POLE	PC
4	410129-8	NYLON NUT M10	PC		064	234106-4	COMPRESSION SPRING 13	PC
5	265995-6	TAPPING SCREW 4X18	PC		065	325652-9	SCREW M10	PC
6	450948-0	REAR COVER	PC		066	450953-7	TIP DEFLECTOR	PC
7	140001-7	MOTOR HOUSING COMPLETE	PC		067	251467-7	FLAT HEAD SCREW M8	PC
C10	643707-1	BRUSH HOLDER	PC		068	213030-4	O RING 8	PC
C20	638649-2	SUPPORT UNIT	PC		069	265587-1	HEX BOLT M5X20	PC
C30	816922-2	SCALE PLATE	PC		070	265586-3	HEX BOLT M5X14	PC
9	866372-1	RP1801 NAME PLATE	PC		071	315931-3	STOPPER	PC
10	654531-7	TERMINAL BLOCK 2P	PC		072	265587-1	HEX BOLT M5X20	PC
11	645200-1	NOISE SUPPRESSOR	PC		073	216009-4	STEEL BALL 7.1	PC
13	682505-8	CORD GUARD 10-90	PC		074	231419-4	COMPRESSION SPRING 5	PC
14	692502-6	POWER SUPPLY CORD 1.0-2-4.0	PC		075	265720-5	THUMB SCREW M5X14	PC
14	695228-9	POWER SUPPLY CORD 1.5-2-4.0	PC		076	231240-1	COMPRESSION SPRING 7	PC
15	687052-4	STRAIN RELIEF	PC		077	253783-3	FLAT WASHER 8	PC
15	687053-2	STRAIN RELIEF	PC		078	931303-0	HEX NUT M6	PC
16	265995-6	TAPPING SCREW 4X18	PC		079	265774-2	THUMB SCREW M4X19	PC
17	450949-8	COVER	PC		080	213022-3	O RING 3	PC
18	265995-6	TAPPING SCREW 4X18	PC		081	265720-5	THUMB SCREW M5X14	PC
19	266059-9	TAPPING SCREW 5X75	PC		082	231240-1	COMPRESSION SPRING 7	PC
20	636055-5	FIELD 100V	PC		083	417252-0	POLE	PC
20	636059-7	FIELD 240V	PC		084	234105-6	COMPRESSION SPRING 11	PC
21	450944-8	BUFFLE PLATE	PC		085	158973-2	BASE COMPLETE	PC
22	211092-6	BALL BEARING 629DDW	PC		086	424176-3	CAP 14	PC
23	681671-8	INSULATION WASHER	PC		087	346032-6	LOCK PLATE	PC
24	517801-4	ARMATURE ASS'Y 115V	PC		088	233105-3	COMPRESSION SPRING 4	PC
D10		INC. 222325	PC		089	450951-1	BASE PLATE	PC
024A	517804-8	ARMATURE ASS'Y 240V	PC		090	912112-6	C/SUNK HD SCREW M4X10	PC
D10		INC. 222325	PC		091	266016-7	SET BOLT M5X10	PC
25	240112-9	FAN 80	PC		A01	122850-4	DUST NOZZLE ASSY	PC
26	251295-0	C/SUNK HD SCREW M4X14	PC		C10	213022-3	O RING 3	PC
27	285731-4	BEARING RETAINER 60	PC		C20	265774-2	THUMB SCREW M4X19	PC
28	211380-1	BALL BEARING 6205DDW	PC		A02	266491-7	PAN HEAD SCREW M6X135	PC
29	265995-6	TAPPING SCREW 4X18	PC		A03	763803-0	COLLET SLEEVE FOR 1/4" BIT	PC
30	450937-5	GRIP COVER R	PC		A04	763805-6	COLLET SLEEVE FOR 3/8" BIT	PC
31	450940-6	SWITCH LEVER	PC		A05	781030-7	WRENCH 24	PC
32	233024-3	COMPRESSION SPRING 4	PC		A06	941152-7	FLAT WASHER 6	PC
33	450941-4	LOCK OFF BUTTON	PC		A07	194732-0	STRAIGHT GUIDE SET	PC
34	231372-4	COMPRESSION SPRING 5	PC		C11	125543-2	THUMB SCREW M10X52 ASSY	PC
35	651430-4	SWITCH	PC		C16	231399-4	COMPRESSION SPRING 15	PC
36	911343-4	PAN HEAD SCREW M6X25	PC		C21	251870-2	SCREW M6X50	PC
37	450936-7	GRIP R	PC		C26	256864-2	ROD 10	PC
38	450942-2	PUSH BUTTON	PC		C31	257284-3	RING 10	PC
39	233072-2	COMPRESSION SPRING 8	PC		C36	265720-5	THUMB SCREW M5X14	PC
40	268234-3	COLLARED PIN 6	PC		C41	266035-3	TAPPING SCREW BIND CT 5X12	PC
41	911133-5	PAN HEAD SCREW M4X18	PC		C46	267070-4	FLAT WASHER 10	PC
42	763622-4	COLLET CONE 1/2"	PC		C51	267209-9	FLAT WASHER 5	PC
43	763674-5	COLLET NUT	PC		C56	318383-7	STRAIGHT GUIDE	PC
44	318382-9	RETAINER COVER	PC		C61	318384-5	GUIDE HOLDER	PC
45	285849-1	RETAINER	PC		C66	346069-3	PRESSURE PLATE	PC
46	158971-6	MOTOR BRACKET COMPLETE	PC		C71	450954-5	GUIDE SHOE	PC
47	266012-5	TAPPING SCREW 5X35	PC		C76	891284-7	MAKITA LOGO LABEL	PC
48	153476-1	HALF NUT COMPLETE	PC		C81	911129-6	PAN HEAD SCREW M4X16	PC
49	231231-2	COMPRESSION SPRING 12	PC		C86	961012-7	STOP RING E-6	PC
50	911343-4	PAN HEAD SCREW M6X25	PC		A08	158980-5	KNOB 55 COMPLETE	PC
51	265995-6	TAPPING SCREW 4X18	PC		E01	655030-2	PLUG UK TYPE 16A-4H/110V	PC
52	450939-1	GRIP COVER L	PC		E02	654091-9	NON-INSULATED TERMINAL	PC
53	450938-3	GRIP L	PC					
54	643700-5	BRUSH HOLDER CAP 7-18	PC					
55	191953-5	CARBON BRUSH CB-203 SET	PC					
59	233538-2	TORSION SPRING 15	PC					
60	266015-9	SET BOLT M10	PC					